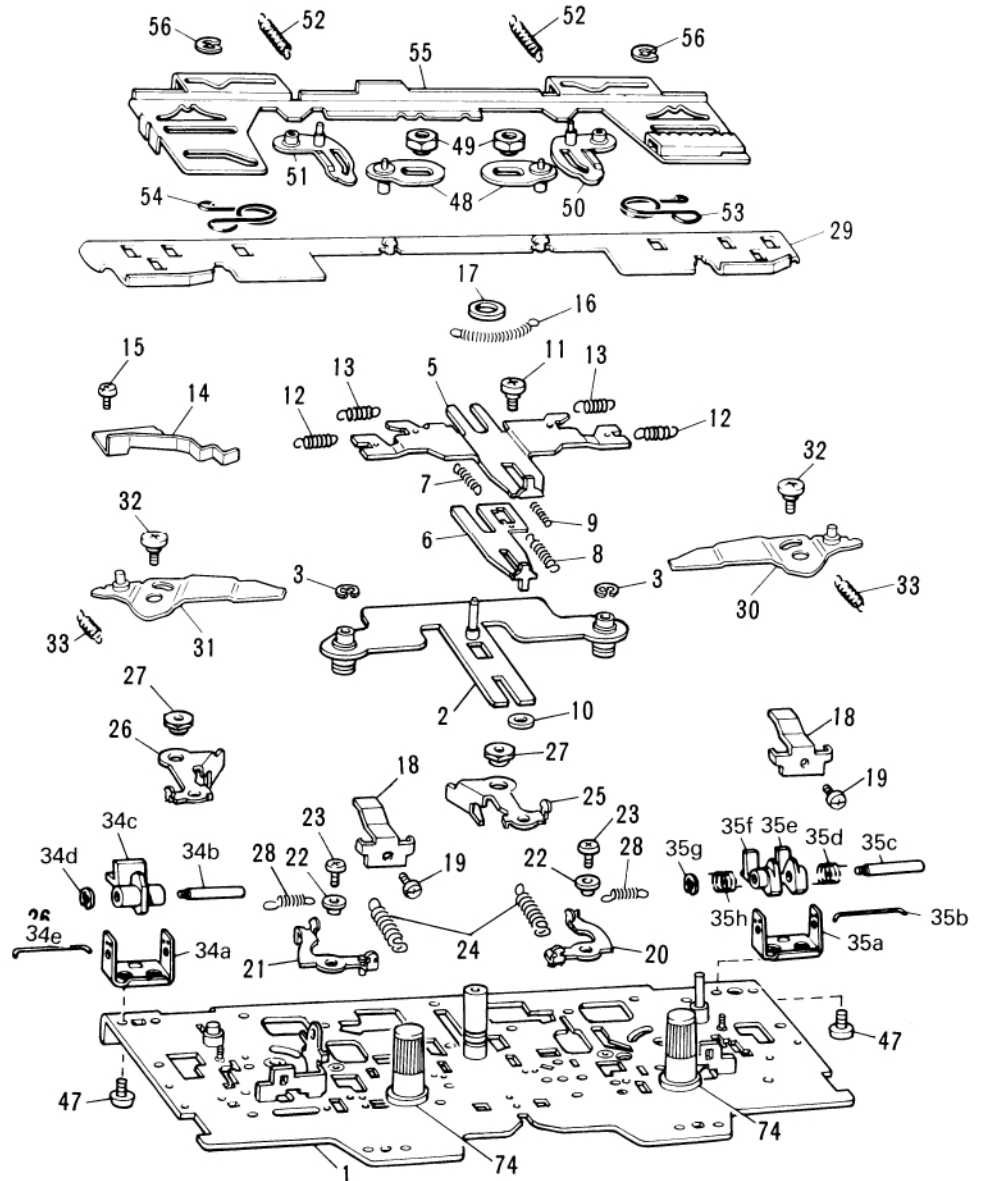
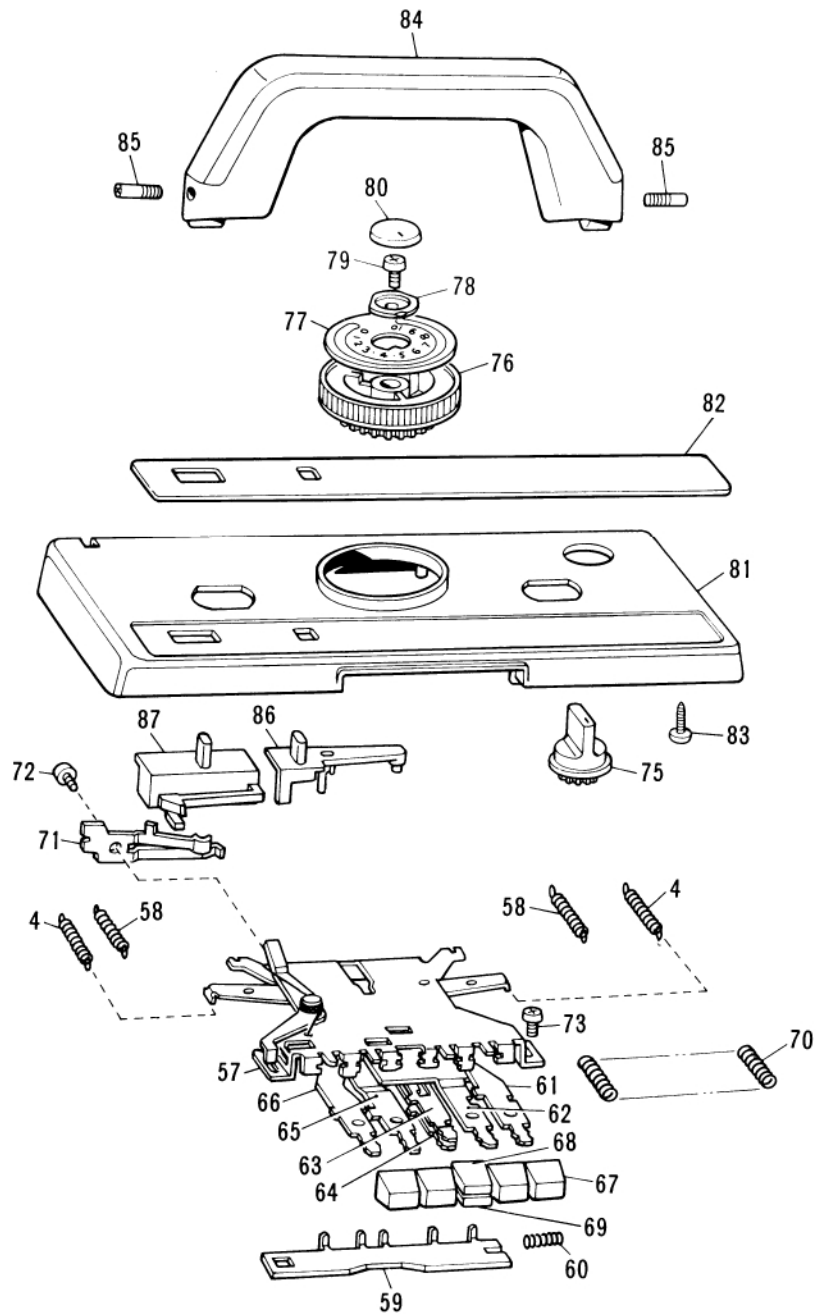


PARTS CATALOGUE FOR BROTHER KH-893 MACHINE

Parts marked with "O" are not interchangeable with other models

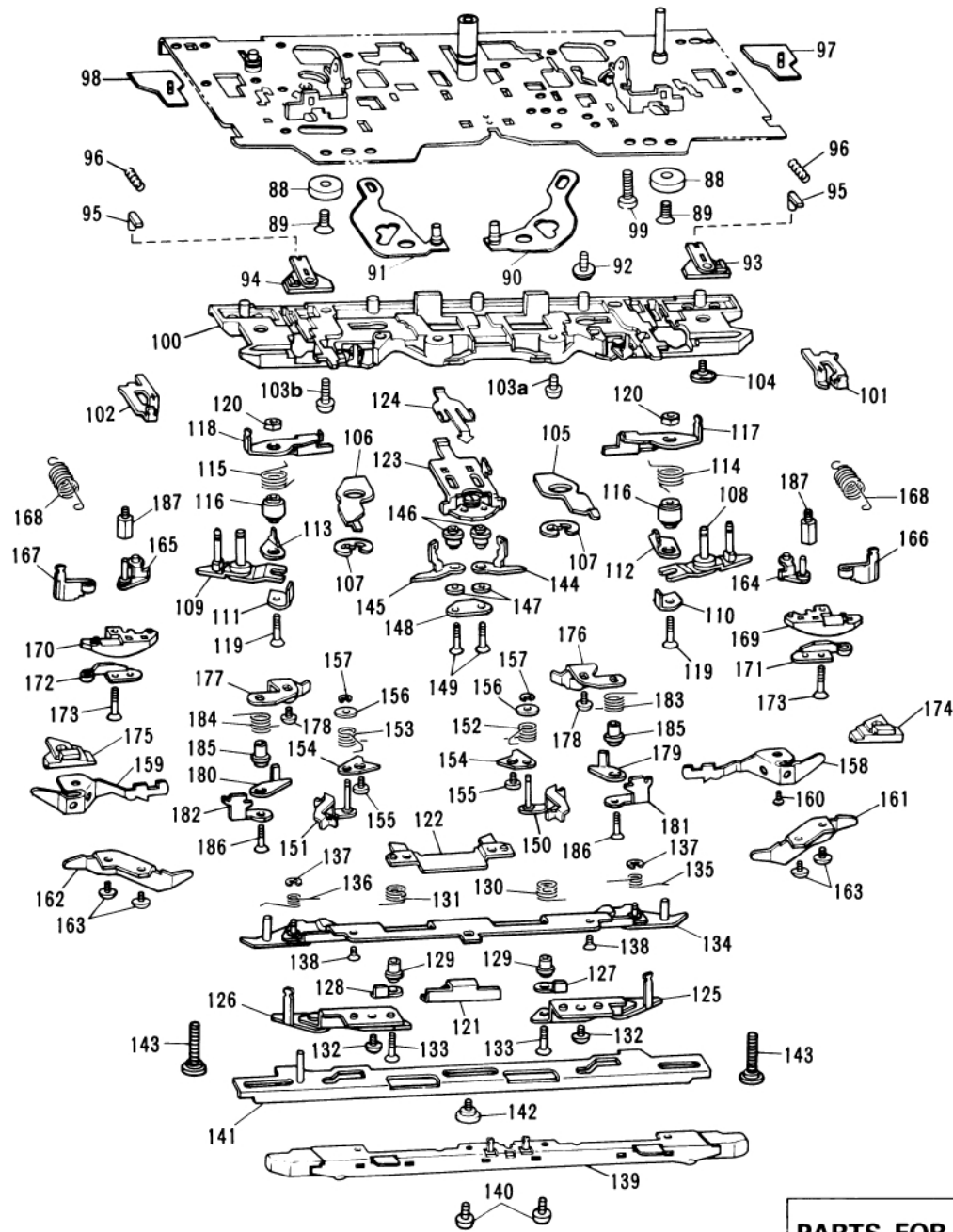


PARTS FOR CARRIAGE UPPER PART

Fig: AI

PARTS FOR CARRIAGE UPPER PART

Ref. No.	Parts No.	Description	Revised	Q'ty	Ref. No.	Parts No.	Description	Revised	Q'ty
○ AI-1-AII-224	415042001	K carriage complete set		1	35f	409560003	KL tripper B		1
○ AI- 1	414485001	Carriage plate		1	35g	048020346	Snap ring E2		1
2	414022001	Stitch cam guide plate		1	35h	409561001	KL spring B		1
3	048030346	Snap ring E3		2	47	060660406	+ – Screw 3.18 – 40 × 4		4
4	407432001	Raising cam change spring		2	48	409567001	S.M. cam lever		2
5	414053000	Change plate A		1	49	409571001	Nut		2
6	414054000	Change plate B		1	50	409572001	S.M. cam change crank, right		1
7	414370001	Change plate A spring		1	51	409576001	S.M. cam change crank, left		1
8	414252001	Change plate B spring		1	52	409585001	Needle selection change lever spring		2
9	413452001	Change plate spring		1	53	409543001	Connecting plate spring, right		1
10	414251001	Collar		1	54	409544001	Connecting plate spring, left		1
11	414025001	Change plate guide collar		1	55	409565001	Upper slide plate		1
12	414241001	MC cam change spring		2	56	048040346	Snap ring E4		2
13	414178001	MC cam spring A		2	57-72	414113001	Cam button unit		1
14	414065001	Front slide plate spring		1	57	414114001	Cam button unit body		1
15	060660406	+ – Screw 3.57 – 40 × 4		1	58	407512001	Raising cam spring		2
16	414069001	Tuck cam spring		1	59	413545001	Stopper plate		1
17	414180001	Presser ring		1	60	405524001	Stopper spring		1
18	414084001	Handle lock spring		1	61	414118001	Part plate, R		1
19	062670406	Screw 3.57 – 40 × 4		2	62	414119001	Part plate, L		1
20	414014001	Intarsia lever, R		1	63	413378001	MC plate		1
21	414017001	Intarsia lever, L		1	64	413377001	L plate		1
22	414019001	Intarsia lever collar		2	65	414116001	Tuck plate R		1
23	060660406	+ – Screw 3.18 – 40 × 4		2	66	414117001	Tuck plate L		1
24	414090001	Intarsia cam spring		2	67	405302007	Push button		4
25	414667001	Intarsia cam A, R		1	68	414181001	Push button B		1
26	414668001	Intarsia cam A, L		1	69	413379002	Push button A		1
27	414094001	Nut		2	70	403008001	Push button release spring		2
28	414095001	Intarsia cam A spring		1	71	409595001	Stitch dial stopper spring		1
29	409554001	Rear plate		1	72	060660406	+ – Screw 3.18 – 40 × 4		1
30	414508001	Cam change plate, right		1	73	060670406	+ – Screw 3.57 – 40 × 4		2
31	414510001	Cam change plate, left		1	74	409596003	Thumb nut		2
32	408506001	+ Stud screw 3.18		2	75	409597007	Change knob		1
33	410928001	Selection guide spring		2	AI-76-77	414175002	Stitch dial assembly		1
34a-34e	409564001	Row counter tripper assembly		1	76	409599003	Stitch dial		1
34a	409555000	Tripper base		1	77	414174003	Stitch dial indicator plate		1
34b	409557001	Shaft for tripper		1	78	406283001	Stitch dial presser		1
34c	409556001	Row counter tripper		1	79	060660606	+ – Screw 3.18 × 6		1
34d	048020346	Snap ring E2		1	80	409601006	Stitch dial cap		1
34e	409558001	Row counter tripper spring		1	○ 81-82	415043001	K carriage cover assembly		1
35a-35h	409559003	KL Tripper assembly		1	81	415032001	K carriage cover		1
35a	409555000	Row cunter base		1	○ 82	415044001	K carriage cover decoration plate		1
35b	409563001	KL tripper spring		1	83	037351615	Tapping screw 3 × 5		2
35c	409557001	Shaft for tripper		1	84	409605007	K carriage handle		1
35d	409563001	KL tripper spring A		1	85	409608001	Screw		2
35e	409562003	KL tripper A		1	86	413437001	Plain lever knob		1
					87	414112001	H.C.L knob		1



PARTS FOR CARRIAGE LOWER PART Fig: AII

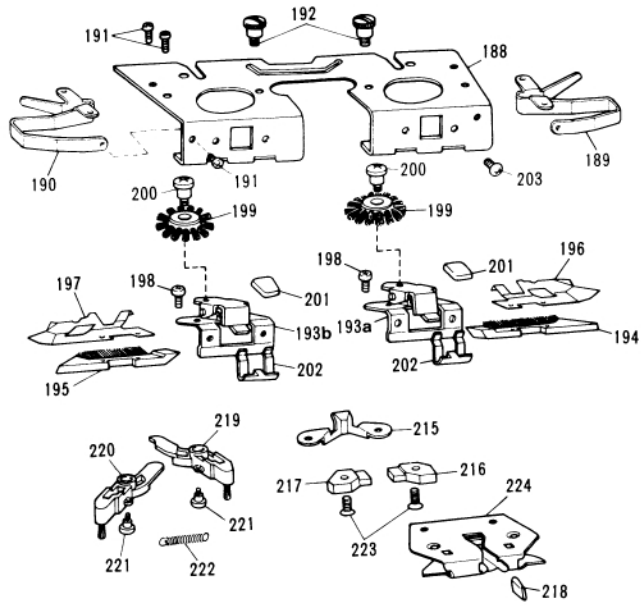
PARTS FOR CARRIAGE LOWER PART

Ref. No.	Parts No.	Description	Revised	Q'ty	Ref. No.	Parts No.	Description	Revised	Q'ty
AII- 88	407285000	Carriage magnet 16 X 18		2	133	407299001	Flat head screw		2
89	408773006	Flat head screw 3.18 – 40 X 9		2	134	414055001	Guide cam A		1
90	409523001	Needle selection change plate, right		1	135	414194001	Change cam spring, R		1
91	409526001	Needle selection change plate, left		1	136	414195001	Change cam spring, L		1
92	409528001	Stud screw		2	137	048025346	Snap ring E2.5		2
93	410922002	Selection cam for right end needle		1	138	413285001	Flat head screw 3.18 X 2		2
94	410923002	Selection cam for left end needle		1	139	414172001	Front foot		1
95	410926001	End needle selection switch cam		2	140	413554001	Screw 3.18 X 3		1
96	412215001	End needle switch cam spring		2	141	414062001	Front slide plate		1
97	409539001	Connecting plate, right		1	142	414184001	+ Stud screw 3.18 X 4		1
98	409541001	Connecting plate, left		1	143	408504001	+ Stud screw 3.18		2
99	062681206	+ – Screw 4.37 X 12		2	144	414066001	Tuck cam, R		1
100	414493001	Rear foot		1	145	414067001	Tuck cam, L		1
101	410924001	Selection guide for right end needle		1	146	414068001	Tuck cam shaft		2
102	410925001	Selection guide for left end needle		1	147	414179001	Washer		2
103a	060660406	+ – Screw 3.18 – 40 X 4		2	148	407340001	Tuck cam plate		1
103b	060661216	+ – Screw 3.18 – 40 X 12		2	149	407299001	Flat head screw		2
104	409494001	Screw 3.57		2	150	414070001	Valve cam G, R		1
105	414242001	Raising cam guide, R		1	151	414073001	Valve cam G, L		1
106	414243001	Raising cam guide, L		1	152	414075001	Valve cam G spring, R		1
107	048070346	Snap ring E7		1	153	414076001	Valve cam G spring, L		1
108	414026001	Stitch cam assembly, R		1	154	414077001	Cam plate		2
109	414030001	Stitch cam assembly, L		1	155	414049001	Screw		2
110	407296001	Sub stitch cam, R		1	156	025350233	Washer 3.5		2
111	407297001	Sub stitch cam, L		1	157	048020346	Snap ring E2		2
112	410488001	Valve cam D, R		1	158	414487001	Separation cam, R		1
113	410489001	Valve cam D, L		1	159	414488001	Separation cam, L		1
114	410490001	Valve cam D spring, R		1	160	060660406	+ – Screw 3.18 – 40 X 4		2
115	410491001	Valve cam D spring, L		1	161	414082001	Guide cam F, R		1
116	414245001	Sub stitch cam shaft		2	162	414083001	Guide cam F, L		1
117	414032001	MC cam, R		1	163	413554001	+ – Screw 3.18 X 3		1
118	414033001	MC cam, L		1	164	414489001	Needle selection change cam, right		1
119	407312001	Flat head screw, B		2	165	414491001	Needle selection change cam, left		1
120	021660306	Nut 3.18 – 40		2	166	414203001	Valve cam F, R		1
121	414034001	Slide cam		1	167	414204001	Valve cam F, L		1
122	414035001	Slide cam guide		1	168	409570001	Valve cam F spring		2
123	414036001	Guide cam C		1	169	414096001	Selection cam, R		1
124	414462000	Guide cam C spring		1	170	414098001	Selection cam, L		1
125	414041001	Guide cam B, R		1	171	409537001	Guide cam G, R		1
126	414045001	Guide cam B, L		1	172	409538001	Guide cam G, L		1
127	414176001	Valve cam B, R		1	173	410030001	Flat head screw 2.38 X 14		2
128	414177001	Valve cam B, L		1	174	410929000	Buffer right for selected needle		1
129	414050001	Valve cam shaft		2	175	410930000	Buffer left for selected needle		1
130	414051001	Valve cam B spring, R		1	176	414100001	Sub selection cam, R		1
131	414052001	Valve cam B spring, L		1					
132	413554001	Screw 3.18 X 3		2					

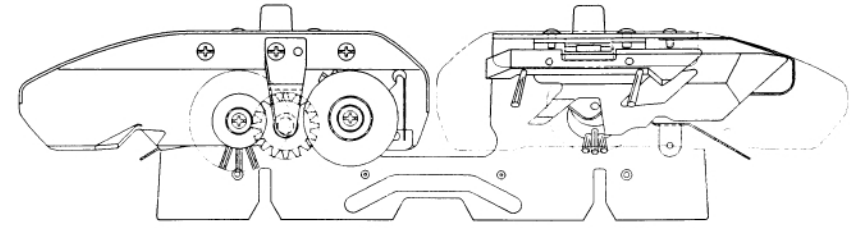
PARTS FOR CARRIAGE LOWER PART

Ref. No.	Parts No.	Description	Revised	Q'ty	Ref. No.	Parts No.	Description	Revised	Q'ty
AII- 177	414101001	Sub selection cam, L		1					
178	413554001	+ Screw 3.18 X 3		1					
179	414102001	Intarsia cam B, R		1					
180	414103001	Intarsia cam B, L		1					
181	414104001	Intarsia cam B plate, R		1					
182	414105001	Intarsia cam B plate, L		1					
183	414106001	Intarsia cam B spring, R		1					
184	414107001	Intarsia cam B spring, L		1					
185	414108001	Intarsia cam B shaft		2					
186	407299001	Flat head screw		2					
187	414091001	Selection change cam shaft		2					

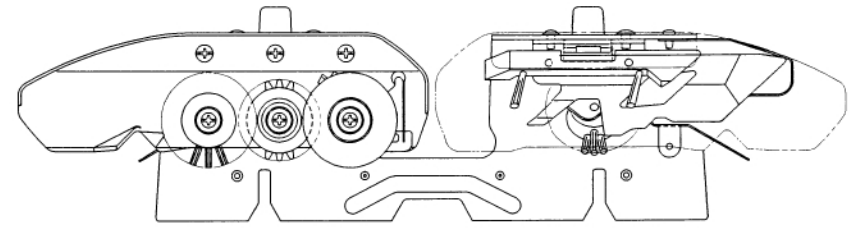
Common parts



* Rear side of Sinker plate



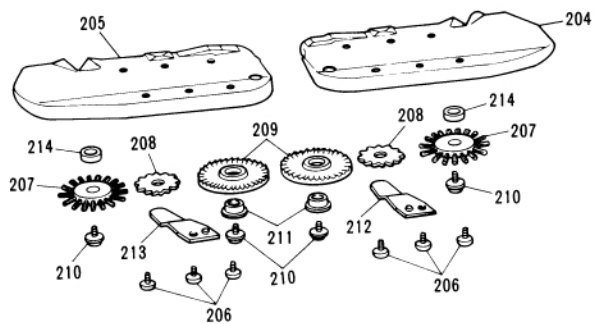
(Type A)



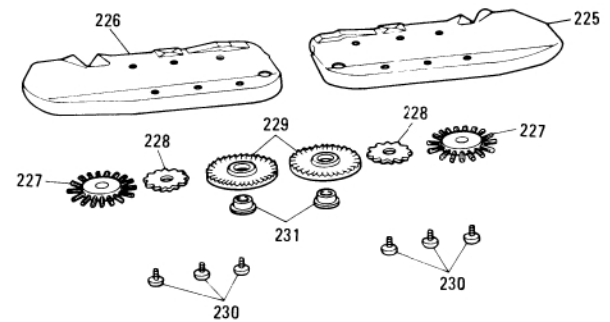
(Type B)

Fig. 1.

Type A



Type B



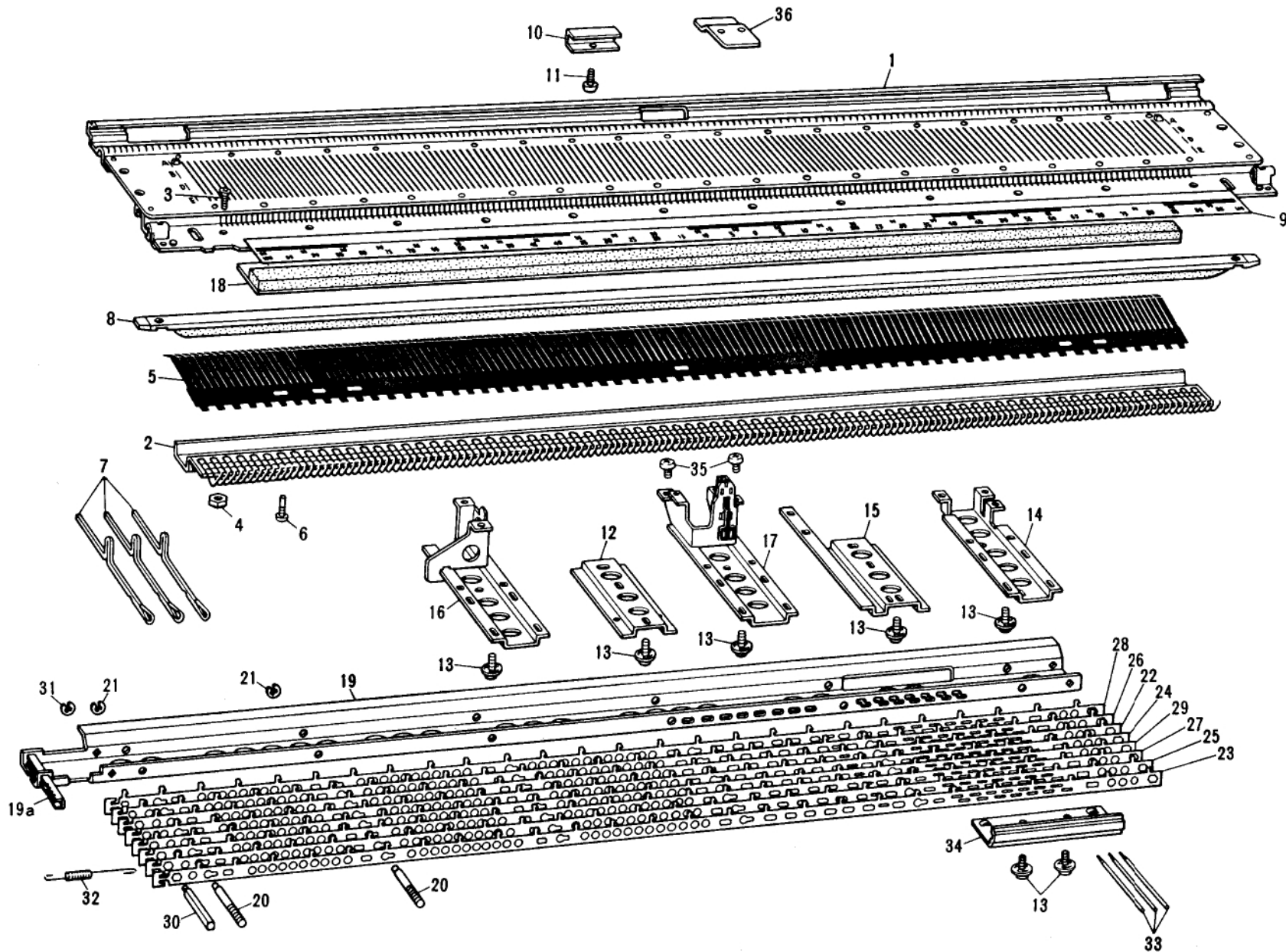
PARTS FOR CARRIAGE SINKER PLATE

Fig: AII

PARTS FOR CARRIAGE SINKER PLATE

Ref. No.	Parts No.	Description	Revised	Q'ty					
o AII-188-224	414120001	Sinker plate assembly (Type A)		1	<p>* Notice We supply two types of Sinker plate ass'y (Type A & Type B) for this machine. Two types are different in arrangement of Wheel brushes, Plastic gears and Rubber wheels, and composition of parts on the rear side of the sinker plate. (Refer to detail drawing Fig. 1.) Please order the parts for Sinker plate ass'y fitting for your sinker plate. Parts for Ref. No. AII-188-203 and Ref. No. AII-215-224 (Double yarn feeder ass'y) are common to both types. Different parts</p> <p>* Different parts Type A : Sinker plate ass'y (Ref. No. AII-188-244) → 414120001 Sinker plate arm ass'y (Ref. No. AII-188-214) → 414121001 Type B : Sinker plate ass'y (Ref. No. AII-188-203, 215-224, 225-231) → 415551001 Sinker plate arm ass'y (Ref. No. AII-188-203, 225-231) → 415552001</p>				
o 188-214	414121001	Sinker plate arm assembly (Type A)		1					
o AII-188-203, } 215-224, } 225-231 }	415551001	Sinker plate assembly (Type B)		1					
o AII-188-203, } 225-231 }	415552001	Sinker plate arm assembly (Type B)		1					
188	414416001	Sinker plate arm		1					
189	414122000	Weaving thread guide, R		1					
190	414123000	Wearving thread guide, L		1					
191	409162001	Tapping screw 2.6		6					
192	409626001	Thumb screw		2					
193a	410026001	Wearving lever assembly, R		1					
193b	410027001	Wearving lever assembly, L		1					
194	410003001	Latch opening brush, R		1					
195	410004001	Latch opening brush, L		1					
196	414191000	Latch presser plate, R		1					
197	414192000	Latch presser plate, L		1					
198	037280616	Screw 2.6 X 6		4					
199	414417001	Wearving pattern brush		2					
200	408316001	Stud screw 3.18		2					
201	409629003	Wearving lever knob		2					
202	407441001	Wearving lever spring		2					
203	408305001	Screw 3.18 X 5		4					
204	414253001	Sinker plate, R		1					
205	414257001	Sinker plate, L		1					
206	412049006	+ - Screw 3.18 - 40 X 3.5		6					
207	408146002	Wheel brush		2					
208	414259001	Plastic gear		2					
209	413403001	Rubber wheel		2					
210	409621001	Screw with washer 3.18 X 4		2					
211	410970001	Holder		2					
212	414261001	Wheel brush plate, R		1					
213	414262001	Wheel brush plate, L		1					
214	414260001	Collar		2					
215-224	414129001	Double yarn feeder assembly		1					
215	409625000	Magnet holder plate		1					
216	407454000	Magnet, R		1					
217	407578000	Magnet, L		1					
218	407450004	Yarn feeder knob		1					
219	414196001	Yarn presser brush, R		1					
220	414197001	Yarn presser brush, L		1					
221	414249001	Screw		2					
222	414250001	Yarn presser spring		1					
223	413247001	Screw 2.38 X 10		2					
224	414130001	Yarn feeder body		1					

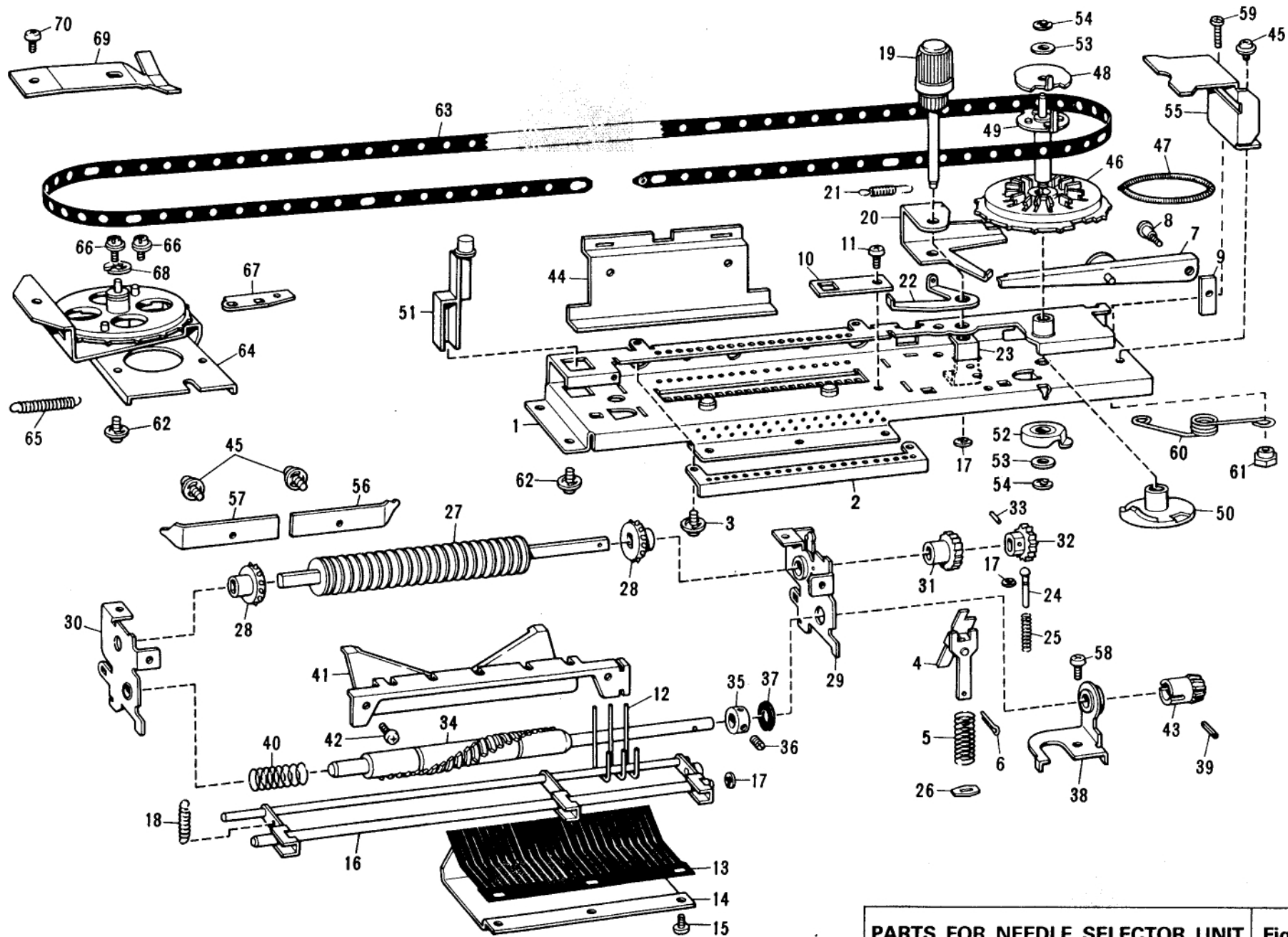
Ref. No.	Parts No.	Description	Revised	Q'ty
AII-225	409614001	Sinker plate, R		1
226	409618001	Sinker plate, L		1
227	407702001	Wheel brush		2
228	405184002	Plastic gear		2
229	413403001	Rubber wheel		2
230	412048006	Screw		6
231	410970001	Holder		2



PARTS FOR NEEDLE BED **Fig: B**

PARTS FOR NEEDLE BED

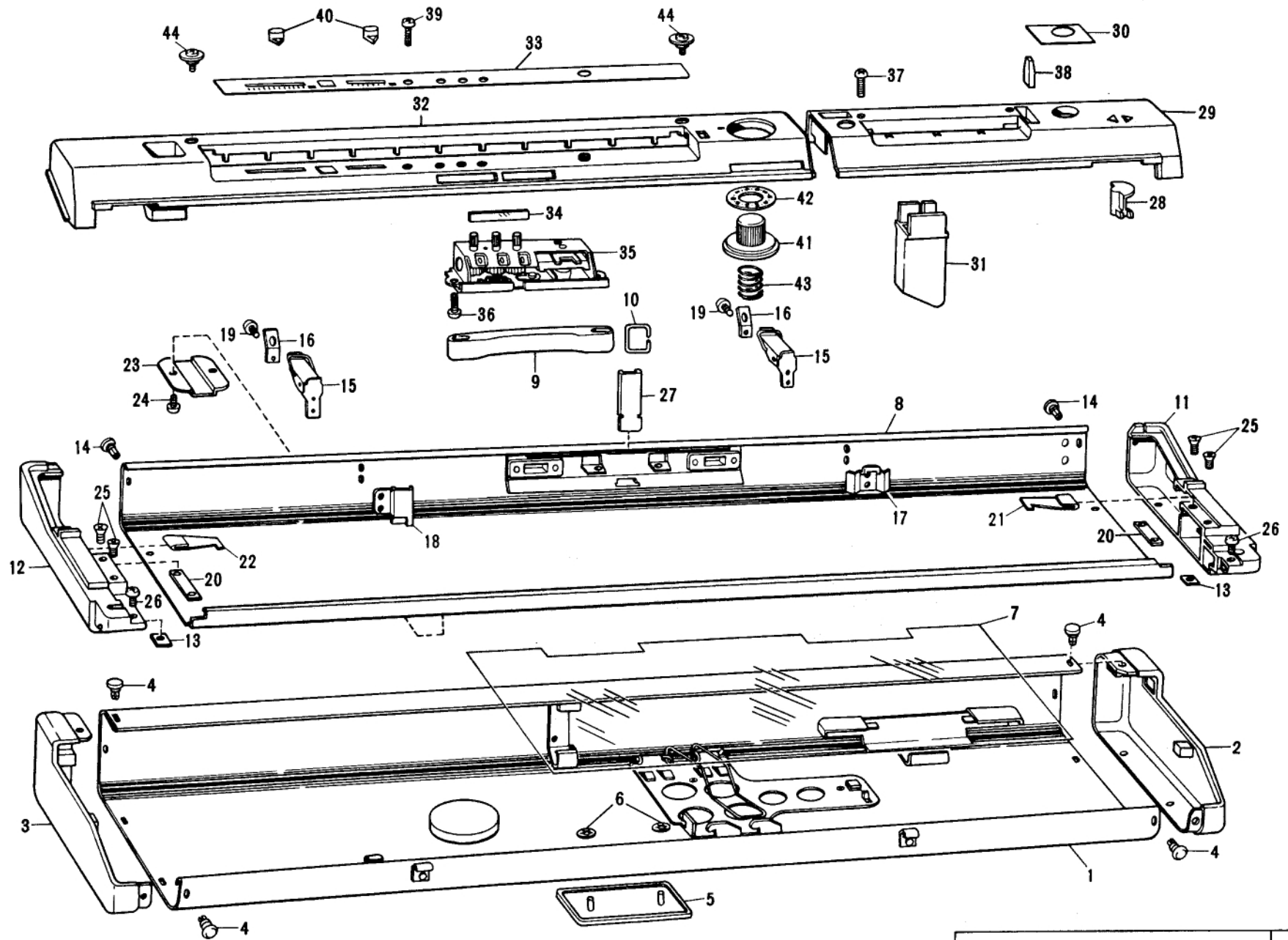
Ref. No.	Parts No.	Description	Revised	Q'ty	Ref. No.	Parts No.	Description	Revised	Q'ty
B- 1	412161001	Needle bed assembly		1					
2	409641001	Needle bed comb assembly		1					
3	412109004	Screw		12					
4	405077001	Nut		12					
5	407112001	Needle retaining spring		1					
6	407687001	Screw		3					
7	407113001	Plain needle		200					
o 8	409643004	Needle presser bar assembly		1					
o 9	407114002	Needle position indicator		1					
10	409656000	Timing belt cover		1					
11	412048006	+ - Screw 3.18 X 4		1					
12	407120000	Lower holder plate		1					
13	409197001	Screw with washer		26					
14	407121000	Stay, right		1					
15	408061000	Stay, center		1					
16	409648001	Stay, left		1					
17	409651001	Yarn tension rod stand		1					
19-32	410668001	Needle selector palte holder assembly		1					
19	410670000	Needle selector plate holder		1					
20	408159001	Shaft A		6					
21	048025346	Snap ring		6					
22	408088001	Needle selector plate, 1		1					
23	408089001	Needle selector plate, 2		1					
24	408090001	Needle selector plate, 3		1					
25	408091001	Needle selector plate, 4		1					
26	408092001	Needle selector plate, 5		1					
27	408093001	Needle selector plate, 6		1					
28	408094001	Needle selector plate, 7		1					
29	408095001	Needle selector plate, 8		1					
30	408172001	Shaft B		1					
31	048025346	Snap ring		1					
32	408086001	Needle selector plate spring		8					
33	408098001	N.S.P. operation lever		24					
34	408099001	Operation lever presser		1					
35	060660406	+ - Screw 3.18 X 4		2					
36	409657000	Reinforcing plate for knit leader		1					



PARTS FOR NEEDLE SELECTOR UNIT Fig: C

PARTS FOR NEEDLE SELECTOR UNIT

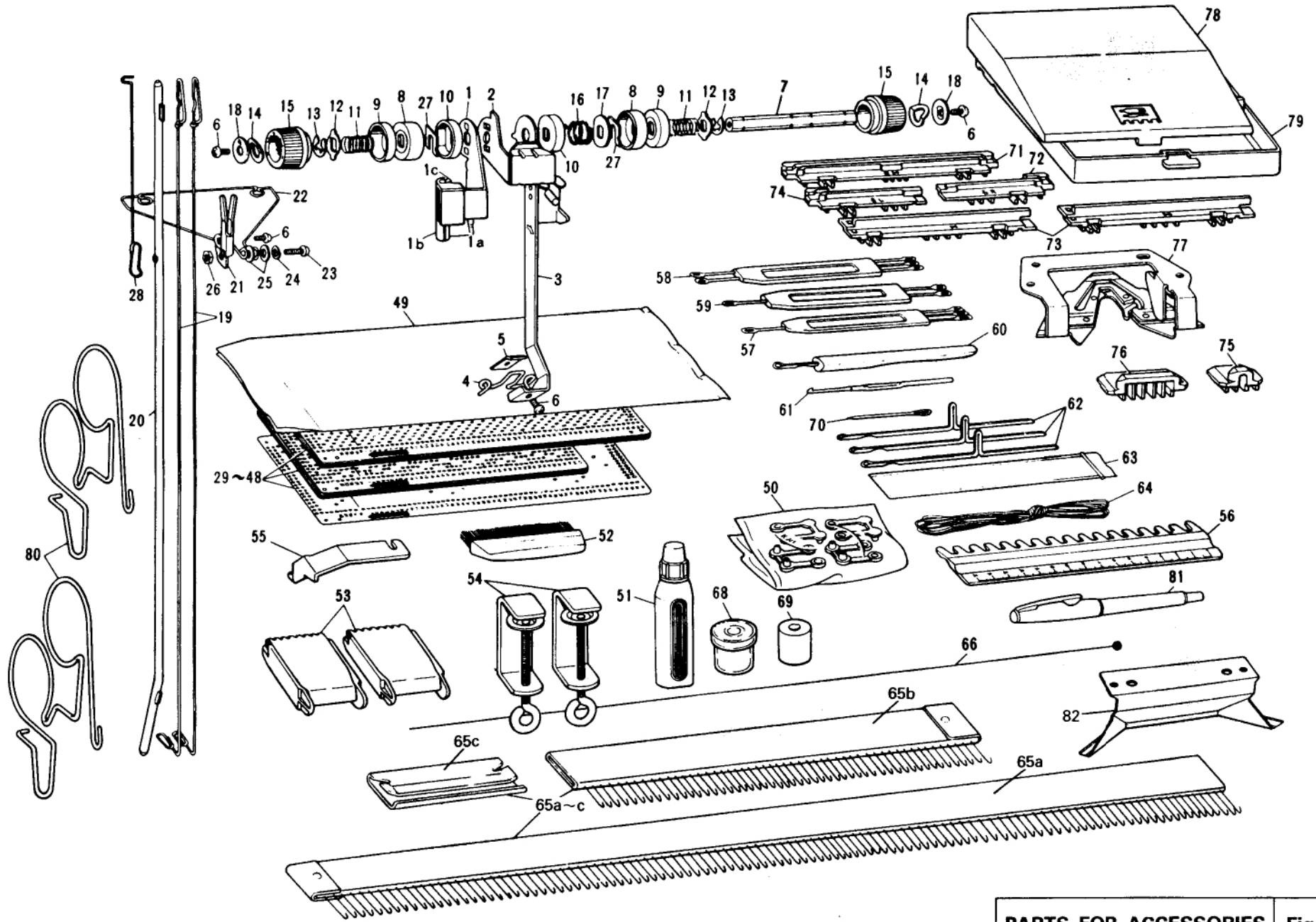
Ref. No.	Parts No.	Description	Revised	Q'ty	Ref. No.	Parts No.	Description	Revised	Q'ty
○ C- 1-61	413094002	Needle selector unit		1	45	409197001	Screw with washer		2
1	409662002	Needle selector unit body		1	○ 46	412166001	Clutch wheel assembly		1
2	409679000	Card reader adjusting plate		1	47	410017001	Clutch spring		1
3	409197001	Screw with washer		2	48	407205001	Clutch cam B		1
4	409665001	Ratchet assembly		1	49	407206001	Clutch cam A		1
5	407145001	Ratchet operation plate spring		1	50	408082000	Card feeding cam		1
6	045100802	Split pin		1	52	412871000	Card reader release cam		1
7	408529001	Card feeding lever assembly		1	53	025350333	Washer		2
8	408534001	Stud screw		1	54	048025346	Snap ring		2
9	407197000	Card feeding adjuster plate		1	55	408084000	Timing belt guide plate, right		1
10	408068001	Card reader guide stopper		1	56	408309001	Spring plate R		1
11	060660406	+ - Screw 3.18 X 4		1	57	408308001	Spring plate L		1
12	407152001	Card reader		24	58	060660406	+ - Screw 3.18 X 4		1
13	408315001	Card reader spring		1	59	060660806	+ - Screw 3.18 X 8		1
14	408213000	Card reader spring presser plate		1	60	412870001	Card reader release cam spring		1
15	060660406	+ - Screw 3.18 X 4		3	61	408760001	Nut		1
16	408069001	Card reader release plate assembly		1	62	409197001	Screw with washer		5
17	048020346	Snap ring		3	63	408181001	Timing belt		1
18	407161001	Spring for card reader release plate		1	64-68	410012002	Pulley assembly		1
○ 19	410936005	Card feeding knob assembly		1	69	407597001	Brake spring		1
20	408535000	Intermittent feeding lever		1	70	060660406	+ - Screw 3.18 X 4		1
21	408536001	Intermittent feeding lever spring		1	○ 71	409711003	Push button		1
22	408537000	Change lever		1					
23	407193000	Card feeding knob stopper cam		1					
24	407179001	Card position guide pin		1					
25	407180001	Spring		1					
26	407464000	Ratchet spring stopper ring		1					
27-42	410938001	Card feeding unit		1					
27	407162001	Card roller		1					
28	407164001	Feeding gear		2					
29	409673001	Card roller holder right assembly		1					
30	408075001	Card roller holder, left		1					
31	407176000	Ratchet wheel		1					
32	407177000	Card position guide gear		1					
33	407473001	Pin		1					
34	408078002	Rotary cam		1					
35	407184001	Rotary cam adjuster collar		1					
36	013680516	Stopper screw		2					
37	409658001	Washer 8.1		1					
38	409659001	Bevel gear stopper plate		1					
39	407183001	Pin		1					
40	408165001	Rotary cam spring		1					
41	410939001	Card guide		1					
42	060660406	+ - Screw 3.18 X 4		2					
43	409191000	Bevel gear		1					
44	407188000	Card reader holder		1					



PARTS FOR CARRYING CASE Fig: D

PARTS FOR CARRYING CASE

Ref. No.	Parts No.	Description	Revised	Q'ty	Ref. No.	Parts No.	Description	Revised	Q'ty
○ D- 1-22	415045001	Carrying case complete set KH-893B		1					
○ 1- 7	415046001	Carrying case upper assembly KH-893B		1					
2	409692003	Upper side plate right		1					
3	409693003	Upper side plate left		1					
4	408194003	Plastic rivet		10					
5	415048001	Brother name plate KH-893		1					
6	408784001	Pushing nut		2					
7	412172001	Packing instruction sheet		1					
○ 8-22	412173002	Carrying case lower assembly		1					
○ 8-10	412174002	Carrying case lower body		1					
○ 11	409698003	Lower side plate right		1					
○ 12	409699003	Lower side plate left		1					
13	409700001	Square nut 3.18		2					
14	408194002	Plastic rivet		6					
15	404022002	Carrying case lock assembly		2					
16	404027001	Carrying case lock spring		2					
17	410793000	Fastening plate R		1					
18	409701000	Fastening plate L		1					
19	405658001	Fastening screw		4					
20	407265000	Needle bed fastening plate		2					
21	409640001	Extension rail lock spring, right		1					
22	409639001	Extension rail lock spring, left		1					
23	407261001	Table clamp setting plate		2					
24	060660704	+ - Screw 3.18 X 7		4					
25	407119001	Screw		4					
26	060660704	+ - Screw 3.18 X 7		2					
27	409705000	Sheet guide setting plate		1					
28	409712002	Direction indicator plate		1					
○ 29-31	415049001	Panel assembly		1					
31	410949000	Accessory stand		1					
○ 32-36	415051001	Panel assembly for knit-leader KH-893		1					
34	409721003	Glass for row counter		1					
○ 35	409722003	Row counter		1					
36	037351016	Tapping screw		2					
37	060661604	+ - Screw 3.18 X 16		2					
○ 38	409716003	Card lock lever knob		1					
39	060662004	+ - Screw 3.18 X 20		1					
○ 40	409723005	Regulator knob		2					
○ 41-42	414669001	Sheet feeding dial assembly		1					
43	409729001	Sheet feeding dial spring		1					
44	409709001	+ - Screw 3.18		2					

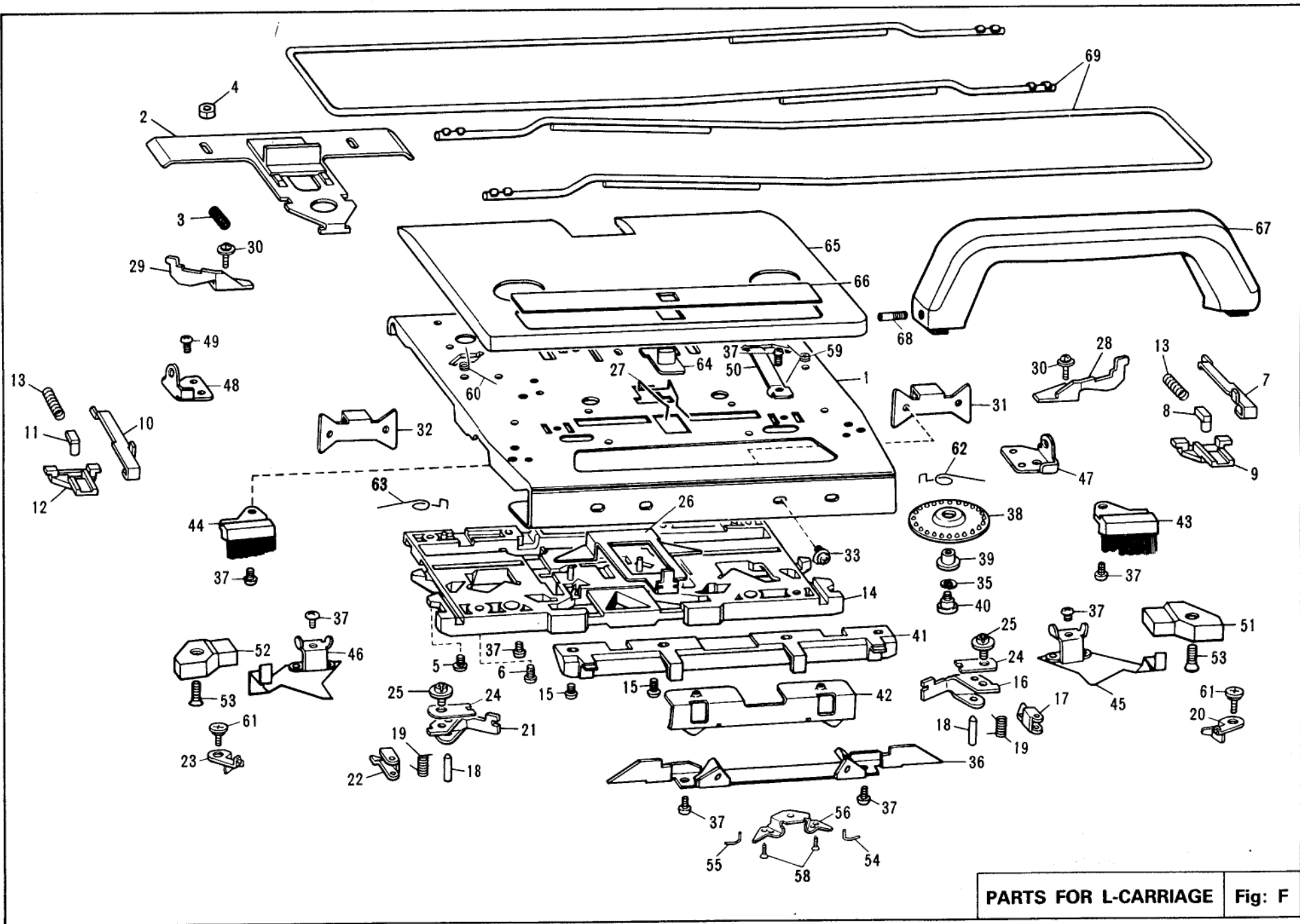


PARTS FOR ACCESSORIES

Fig. E

PARTS FOR ACCESSORIES

Ref. No.	Parts No.	Description	Revised	Q'ty	Ref. No.	Parts No.	Description	Revised	Q'ty
o E 1-28	412183002	Yarn tension unit assembly		1	63	407483000	Spare needle case		1
1a-1c	412184002	Yarn tension unit body		1	64	402389001	Cast-on thread		1
1a	408555001	Yarn tension body A		1	65a-c	412878001	Cast-on comb set		1
1b	412185002	Yarn tension body B		1	65a	412879001	Cast-on comb, long		1
1c	412098001	Spring for body grund		1	65b	411365000	Connecting plate		1
22	412186001	Take up spring holder		1	65c	412881001	Cast-on comb, short		1
3	412187001	Front yarn guide arm		1	66	405683001	Binding wire		1
4	409299001	Front yarn guide		1	67	407518001	Card holder pin		1
5	406239001	Square nut		1	68-69	487221001	Yarn wax with case		1
6	062660504	Screw 3.18 - 40 X 5		1	70	402714001	Tapestry needle		1
7	409115001	Tension disc shaft		1	o 71	410985002	Single motif cam		1
8	406241001	Tension disc A		2	o 72	410975002	Motif knitting cam R		1
9	406242001	Tension disc B		2	o 73	410976002	Motif knitting cam center		2
10	406243001	Disc C for yarn presser		2	o 74	410977002	Motif knitting cam L		1
11	403591001	Tension spring		2	o 75	412207002	L-Point cam for 4 needles		6
12	403613001	Tension spring presser		2	o 76	412208002	L-Point cam for 8 needles		6
13	048040346	Snap ring E4		2	77	410971001	Plating yarn feeder assembly		1
14	403628001	Spring washer		2	o 78-79	409752003	Accessories box		1
15	404511006	Tension control knob		2	80	410974001	Sheet guide		2
16	408924001	Coil spring		1	81	406910001	Special felt pen (black)		1
17	406244001	Lock spring presser		1	82	414350000	Latch opening plate		1
18	403583001	Tension indicator		2					
19	404755001	Take up spring		2					
20	408559001	Yarn tension rod		1					
21	408560001	Rear yarn guide holder		1					
22	406246000	Rear yarn guide		1					
23	062661004	Screw 3.18 - 40 X 10		1					
24	028350246	Spring washer 3.5		1					
25	400806004	Washer 3.6		2					
26	021660306	Nut 3.18 - 40		1					
27	406249001	Washer		2					
28	408614001	Sub take up spring		1					
o 29-49	415104001	Punch card set KH-892/893		1					
50	409170001	Plastic snap (4 pcs. in one set)		1					
51	405135004	Special knitting machine oil		1					
52	403552004	Hand brush		1					
53	404883006	Claw weight		2					
54	409198001	Table clamp		2					
55	407481001	Carriage lock		1					
56	407482004	1/1 Needle pusher		1					
57	402575005	1 X 3 Transfer tool		1					
58	402631005	2 X 3 Transfer tool		1					
59	402576005	1 X 2 Transfer tool		1					
60	407458004	Latch tool		1					
61	414979001	Crochet		1					
62	407113001	Plain needle		3					

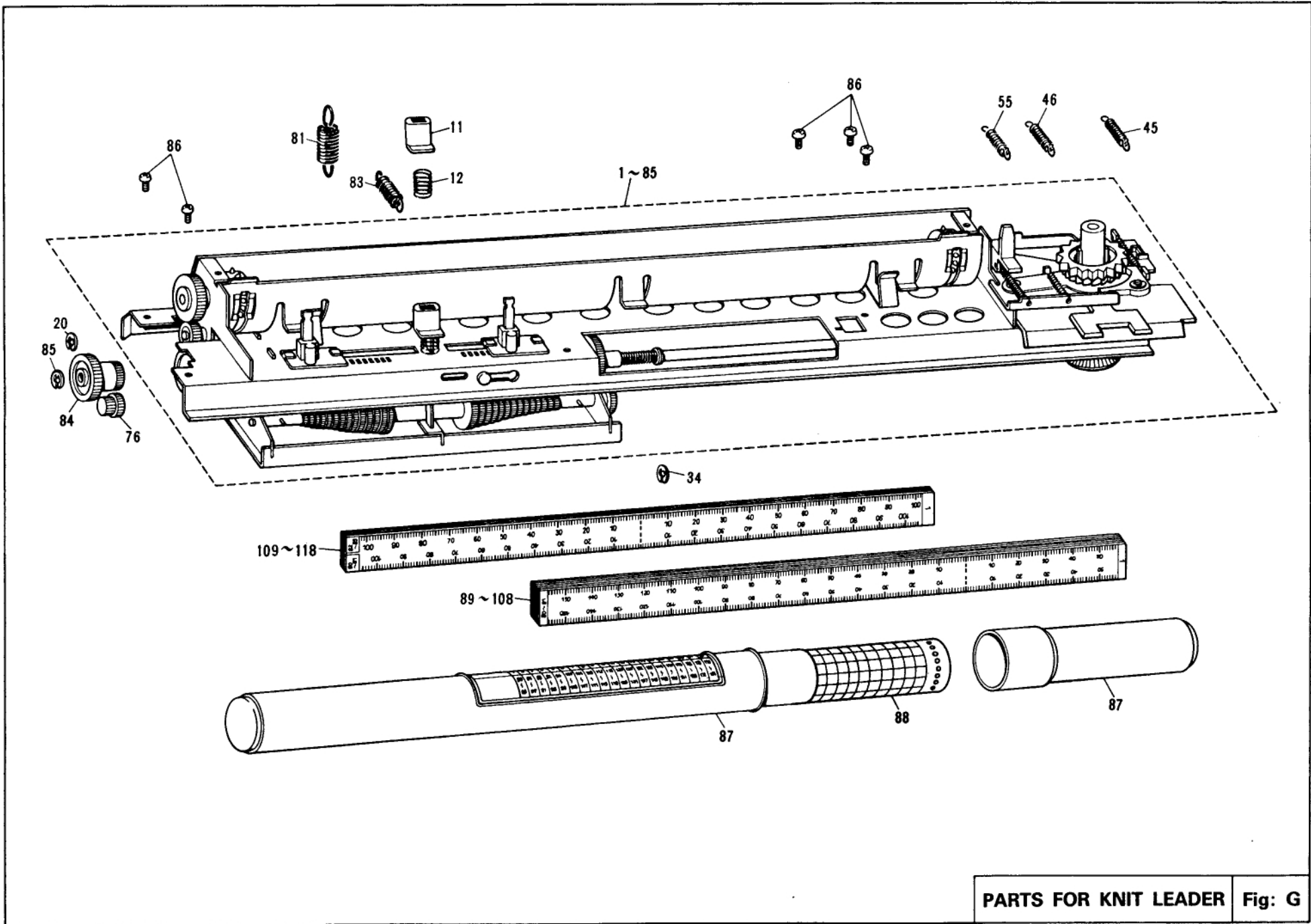


PARTS FOR L-CARRIAGE

Fig: F

PARTS FOR L-CARRIAGE

Ref. No.	Parts No.	Description	Revised	Q'ty	Ref. No.	Parts No.	Description	Revised	Q'ty
○ F- 1-68	415054001	L carriage assembly KH-892/893		1	47	409740001	Handle setting base, right		1
1	410563001	L carriage plate		1	48	409739001	Handle setting base, left		1
○ 2	410954006	Release button plate assembly		1	49	060670506	+ - Screw 3.57 X 5		2
3	410565001	Release button plate spring		1	50	407522001	Handle lock spring		2
4	408166001	Stud for release button plate		2	51	407454000	Magnet, right		1
5	060660706	+ - Screw 3.18 X 7		4	52	407578000	Magnet, left		1
6	060660806	+ - Screw 3.18 X 8		4	53	061661006	Screw		2
7	410957002	R end needle selection cam for L		1	54	412141001	Valve cam B, right for L		1
8	410958001	R end needle selection plate for L		1	55	412142001	Valve cam B, left for L		1
9	410959001	R end needle selection change cam for L		1	56	412143001	Reinforcing plate B		1
10	410960002	L end needle selection cam for L		1	58	040210812	Tapping screw		2
11	410961001	L end needle selection plate for L		1	59	412147001	Valve cam C spring, right		1
12	410962001	L end needle selection change cam for L		1	60	412148001	Valve cam C spring, left		1
13	410963001	End needle selection cam spring for L		2	61	409528001	Screw		2
14	412138001	Main cam		1	62	410966001	R end needle selection change spring		1
15	060660806	+ - Screw 3.18 X 8		2	63	410967001	L end needle selection change spring		1
16	410578001	Separation cam R for L carriage		1	○ 64	409744005	Lace selecting knob		1
17	408132001	Raising cam right for L carriage		1	○ 65-66	415055001	L carriage cover assembly KH-892/893		1
18	410579001	Shaft for separation cam		1	67	409748007	L carriage handle		1
19	408134001	Raising cam spring		1	68	409751001	Screw		2
20	412145001	Valve cam C, right for L		1	69	412205001	Extension rail		2
21	410581001	Separation cam L for L carriage		1					
22	408137001	Raising cam left for L carriage		1					
23	412146001	Valve cam C, left for L		1					
24	412898000	Presser plate		2					
25	406397001	Screw with washer 3.18 X 5		2					
26	408582001	Lace selecting cam		1					
27	408583001	Change lever spring		1					
28	410583001	Right end needle separation cam for L		1					
29	410584001	Left end needle separation cam for L		1					
30	410592001	+ - Screw 3.18 X 12		2					
31	410494001	Needle transfer plate R		1					
32	410495001	Needle transfer plate L		1					
33	060660504	+ - Screw 3.18 X 5		4					
34	403069001	Washer		4					
35	028030243	Spring washer		4					
36	408573001	Cam plate		1					
37	060660406	+ - Screw 3.18 X 4		8					
38-39	411003001	Rubber wheel assembly		2					
40	405029001	Stud screw		2					
41	407490000	Front foot		1					
42	408579000	Front foot holder		1					
43	408580003	Small brush, right		1					
44	408581003	Small brush, left		1					
45	408561001	Spring plate, right		1					
46	408562001	Spring plate, left		1					



PARTS FOR KNIT LEADER	Fig: G
-----------------------	--------

PARTS FOR KNIT LEADER

Ref. No.	Parts No.	Description	Revised	Q'ty	Ref. No.	Parts No.	Description	Revised	Q'ty
○ G- 1-85	409760004	Knit-leader assembly		1	118	409880002	Scale No. 19-20		1
○ 11	409724005	Clutch knob		1	119	405879001	Ruler		1
12	409725001	Clutch lever spring		1	(Optional)				
20	048030346	Snap ring		1	Sheet set (small) (5 pcs. in one set)			487081001	
34	048040346	Snap ring		1					
45	409811001	Ratchet spring		1					
46	409812001	Ratchet arm spring		1					
55	409819001	Sheet button lever spring		1					
76	406120000	Z:16 & Z:20 gear		1					
81	406129001	Upper gear arm spring		1					
83	409839001	Gear arm spring		1					
84	409835000	Z:24.40 gear		1					
85	048030346	Snap ring		1					
86	060660406	+ - Screw 3.18 X 4		5					
○ 87-118	411050004	Scale & Sheet set		1					
○ 87	411051004	Sheet case (small)		1					
89-118	409850002	Scale No. 1-20 assembly		1					
89	409851002	Scale No. 1		1					
90	409852002	Scale No. 2		1					
91	409853002	Scale No. 3		1					
92	409854002	Scale No. 4		1					
93	409855002	Scale No. 5		1					
94	409856002	Scale No. 6		1					
95	409857002	Scale No. 7		1					
96	409858002	Scale No. 8		1					
97	409859002	Scale No. 9		1					
98	409860002	Scale No. 10		1					
99	409861002	Scale No. 11		1					
100	409862002	Scale No. 12		1					
101	409863002	Scale No. 13		1					
102	409864002	Scale No. 14		1					
103	409865002	Scale No. 15		1					
104	409866002	Scale No. 16		1					
105	409867002	Scale No. 17		1					
106	409868002	Scale No. 18		1					
107	409869002	Scale No. 19		1					
108	409870002	Scale No. 20		1					
109	409871002	Scale No. 1-2		1					
110	409872002	Scale No. 3-4		1					
111	409873002	Scale No. 5-6		1					
112	409874002	Scale No. 7-8		1					
113	409875002	Scale No. 9-10		1					
114	409876002	Scale No. 11-12		1					
115	409877002	Scale No. 13-14		1					
116	409878002	Scale No. 15-16		1					
117	409879002	Scale No. 17-18		1					